

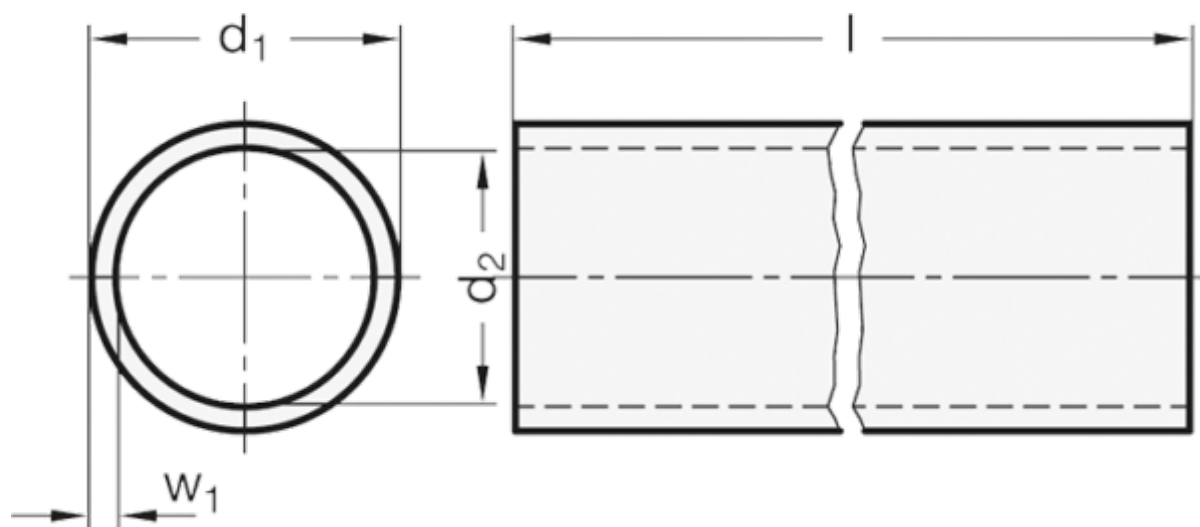
Data Sheet



Article number: 20990ALD401000EL

Description: E+G GN 990 Construction tube round
GN 990-AL-D40-1000-EL

Measures



d_1 = D40 +0.15/-0.25

d_2 = 34

$l \pm 0.5$ = 1000

w_1 = 3

Weight in (g) = 910